

17 861 790



- 142mm projection
- rigid, thermally insulated spout
- laminar flow
- height of mixer 248 mm
- height up to laminar flow regulator 226 mm
- hole diameter 35 mm
- provides filtered, hot water up to 93°C
- provides filtered, cold water
- max. flow 2 l/min at 3 bar flow pressure
- ready-to-use control unit for wall mounting (137mm x 159mm x 60mm)
- electronic magnetic valve
- 100-230 V, 50-60 Hz, 18 W power supply unit, incl. country-specific adapter set
- lead-free
- Spout ring cannot be removed.

• This product can help a building meet the requirements of Green Building Rating Systems, e.g. LEED®, BREEAM®, DGNB

**A minimum flow pressure of 3 bar is necessary for the HOT & COLD WATER DISPENSER to work perfectly in conjunction with a hot water tank and filter.**

**In addition, the installation must be above a kitchen sink.**

**The filter cartridge must be changed every six months. The installation instructions contain further information for guidance.**

**Detailed planning information and technical data can be found at**

**[www.dornbracht.com/professional](http://www.dornbracht.com/professional)**

A minimum flow pressure of 3 bar is necessary for the HOT & COLD WATER DISPENSER to work perfectly in conjunction with a hot water tank and filter.

In addition, the installation must be above a kitchen sink.

The filter cartridge must be changed every six months. The installation instructions contain further information for guidance.

Detailed planning information and technical data can be found at [www.dornbracht.com/professional](http://www.dornbracht.com/professional)

|  |                                |               |
|--|--------------------------------|---------------|
|  | Chrome                         | 17 861 790-00 |
|  | Brushed Platinum               | 17 861 790-06 |
|  | Platinum                       | 17 861 790-08 |
|  | Dark Chrome                    | 17 861 790-19 |
|  | Brushed Durabronze (23kt Gold) | 17 861 790-28 |
|  | Brushed Champagne (22kt Gold)  | 17 861 790-46 |
|  | Champagne (22kt Gold)          | 17 861 790-47 |
|  | Brushed Chrome                 | 17 861 790-93 |
|  | Brushed Dark Platinum          | 17 861 790-99 |

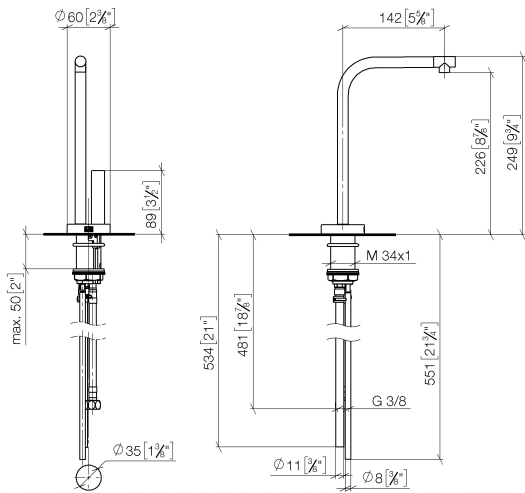
## Required miscellaneous



Hot water tank incl. filter - 12 892 970 90

17 861 790

mm [inches]



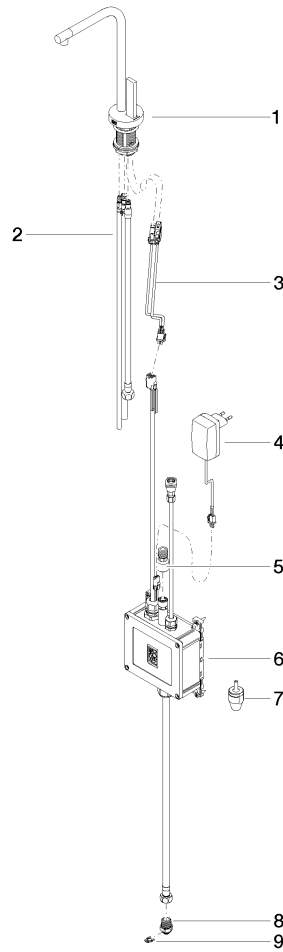
**Flow rate chart**



**Certificates**

IAPMO\_4976 (5).    IAPMO\_N-4976.    LGA\_28297.    IAPMO\_6397.

17 861 790



**Spare parts list**

| No. | Item Number        | Name                   | Quantity used | Delivery time |
|-----|--------------------|------------------------|---------------|---------------|
| 1   | 90 17 85 100 04-00 | fitting                | 1             | 10            |
| 2   | 90 30 04 067 00 90 | hose                   | 1             | 2             |
| 3   | 90 10 01 048 00 90 | electronic accessories | 1             | 2             |
| 4   | 04 10 01 246 00 90 | electronic accessories | 1             | 2             |
| 5   | 12 866 970 90      | adaptor                | 1             | 2             |
| 6   | 90 11 11 064 01 90 | electronic accessories | 1             | 2             |
| 7   | 90 24 04 291 00 90 | insert                 | 1             | 2             |
| 8   | 09 24 04 293 90    | nipple                 | 1             | 2             |
| 9   | 09 16 01 045 90    | ring                   | 1             | 2             |